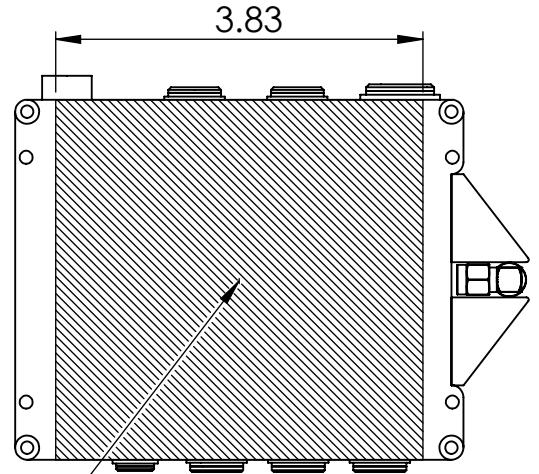
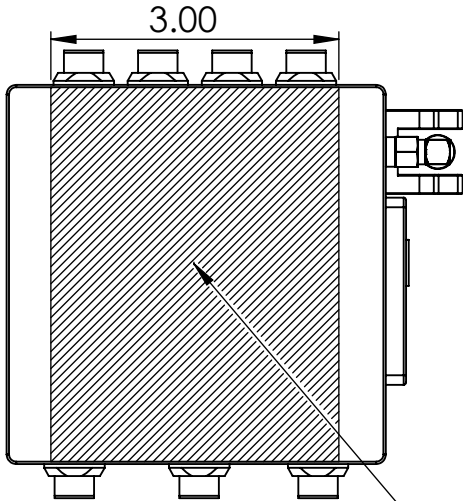


Velcro Instructions

The Cinema Hardware MDR mounts have been designed to allow the use of velcro on the Preston MDR. The MDR mounts have delrin slides, which align the MDR into the mount while protecting it from being scratched from insertion or removal. If the patch of velcro is too large, it will interfere with the delrin slide, prohibiting the MDR from being inserted into the mount. The velcro safe area is 0.5" from either side of the MDR, as indicated by the hatched areas in the drawings below.

APPLY THE VELCRO AT LEAST 0.5"
FROM THE OUTSIDE EDGES



VELCRO SAFE AREA

DELRIN SLIDES

